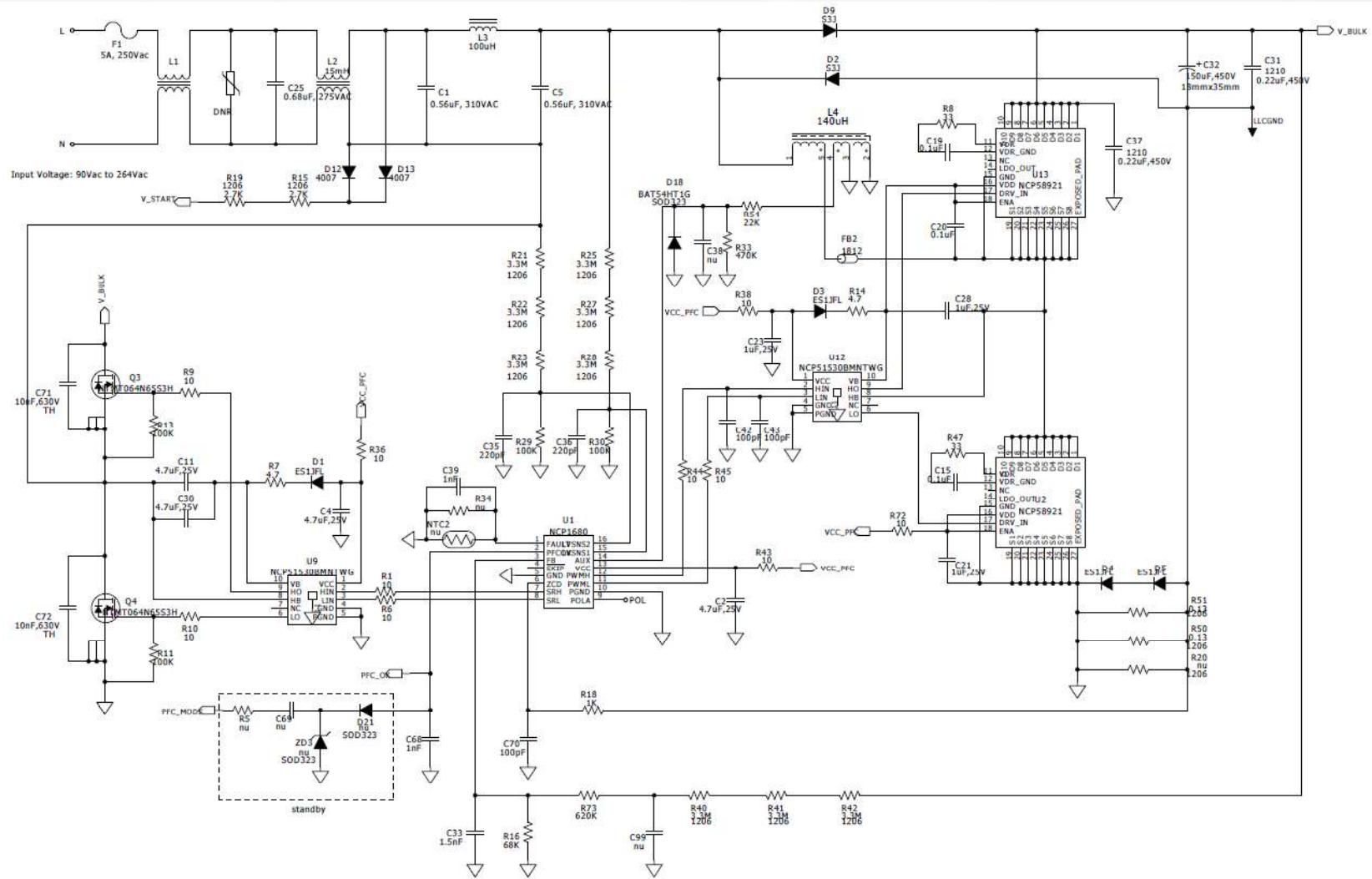
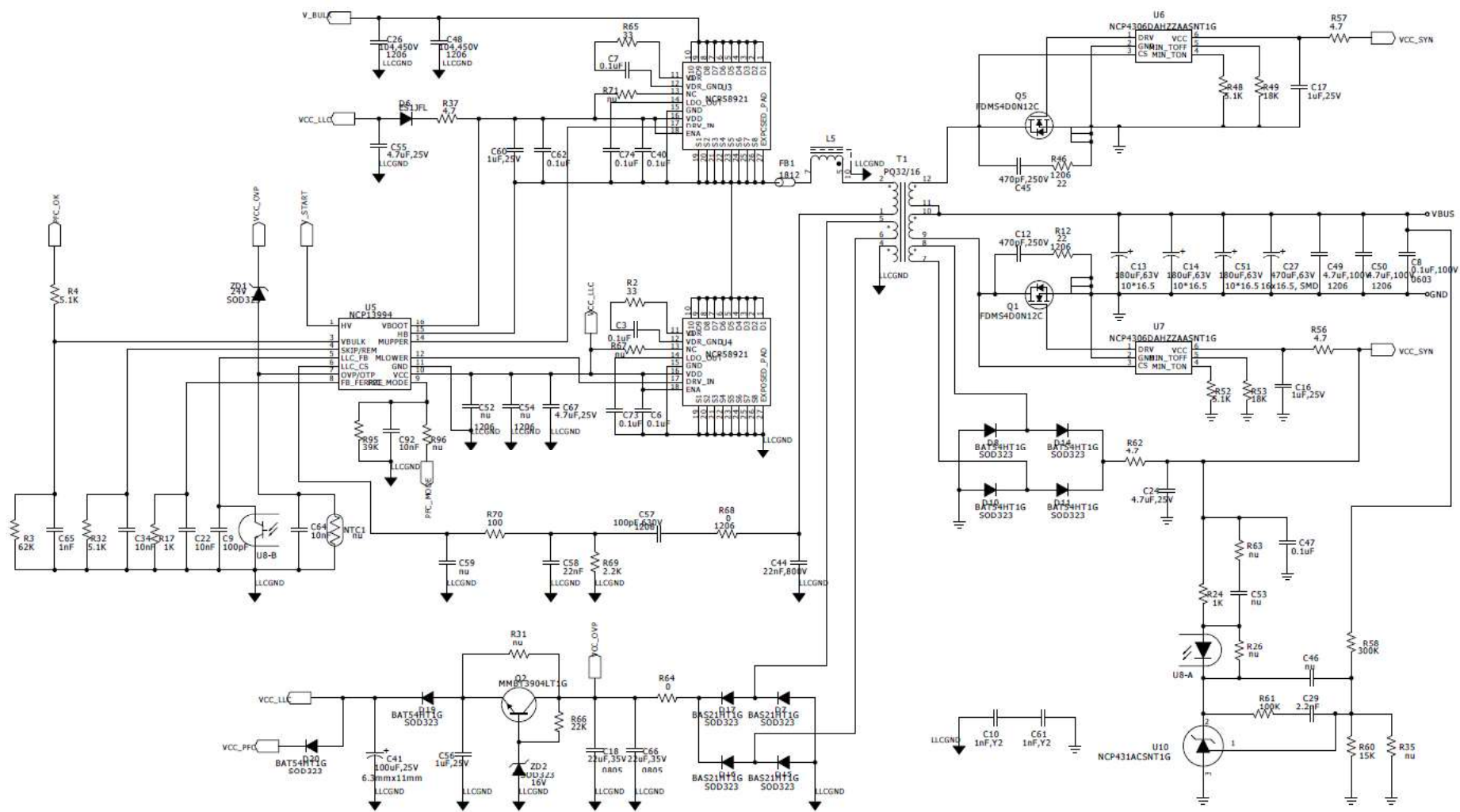


# Schematic(PFC)



# Schematic(LLC)



# Schematic(DC-DC and simulated PD3.1 Controller)

