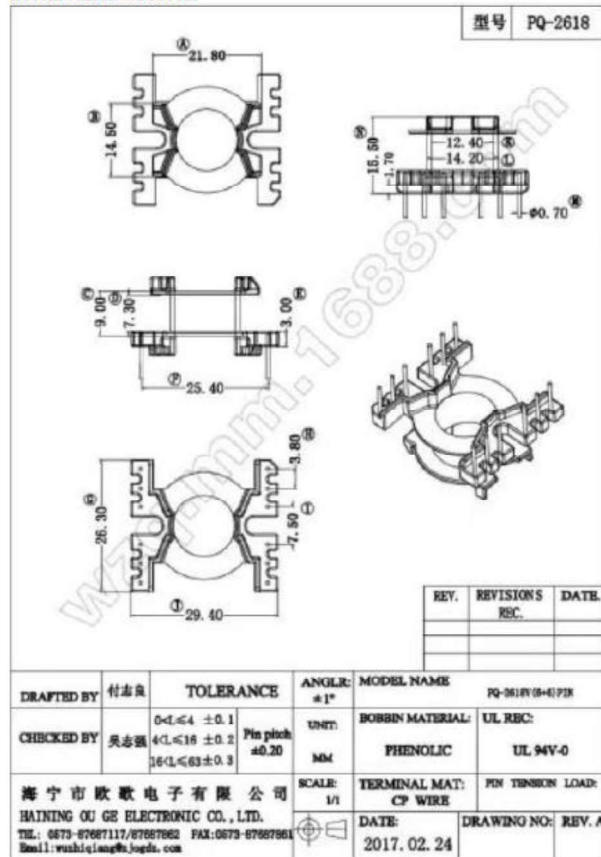


PFC Inductor Specification

1. Core and Bobbin

Core Type: PQ2618
 Core material: 3C95(Ferroxcube)
 Bobbin: 12Pin
 Bobbin vendor: std bobbin

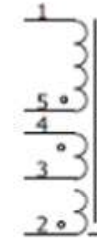


2. Electrical diagram

WD1=Primary, 30T, 50*0.1mm Litz

WD2=Auxiliary, 3T, 0.17mm

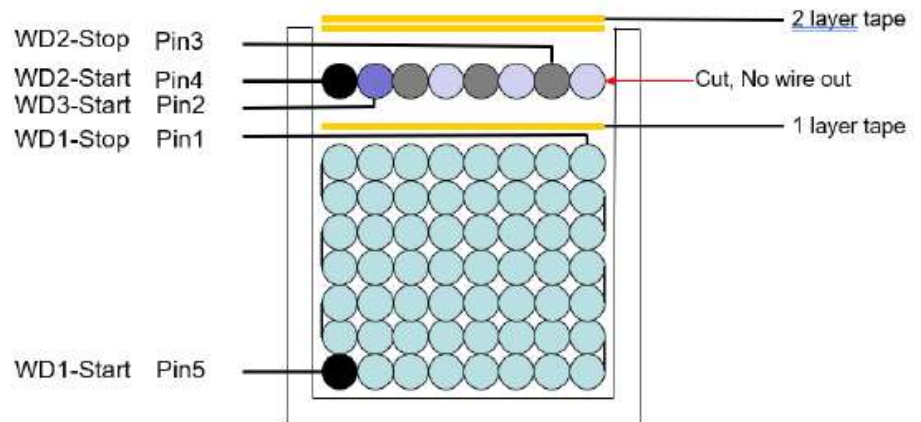
WD3=Shielding, 3T, 0.17mm



3. Electrical specification

Electrical Strength	Don't test	
Primary Inductance	Pins 1-5, all other windings open, measured at 10 kHz, 1V	140uH+/-10%

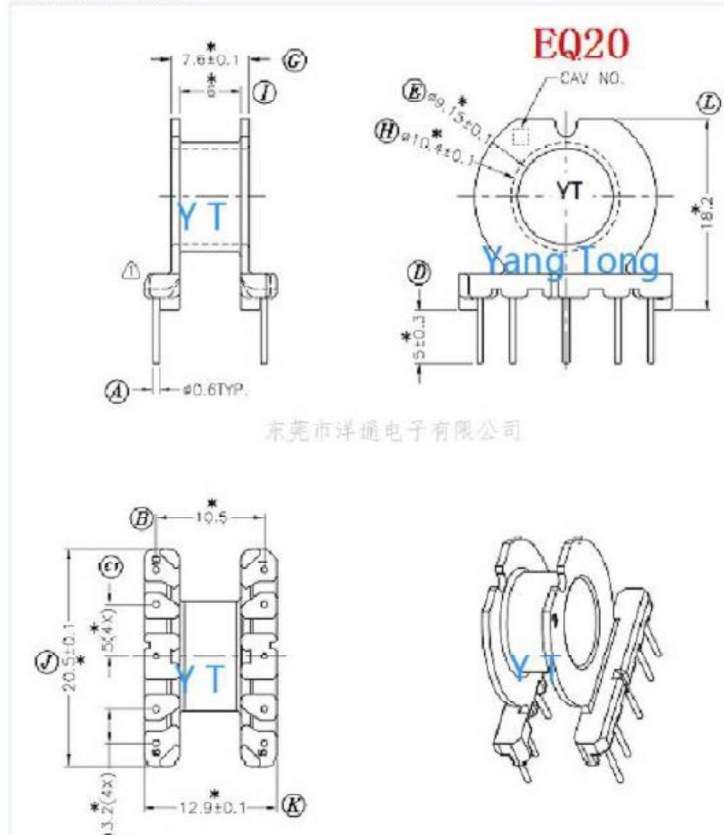
4. Transformer building construction diagram



LLC Resonant Inductor Specification

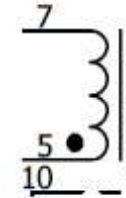
1. Core and Bobbin

Core Type: EQ20
 Core material: 3C95(Ferroxcube)
 Bobbin: 10Pin(following drawing)
 Bobbin vendor: std bobbin



2. Electrical diagram

WD1=Primary. 33T, 35*0.1mm Litz.



3. Electrical specification

Electrical Strength	Don't test	
Primary Inductance	Pins 7-5, all other windings open, measured at 10 kHz, 1V	70uH+/-5%

4. Transformer building construction diagram

