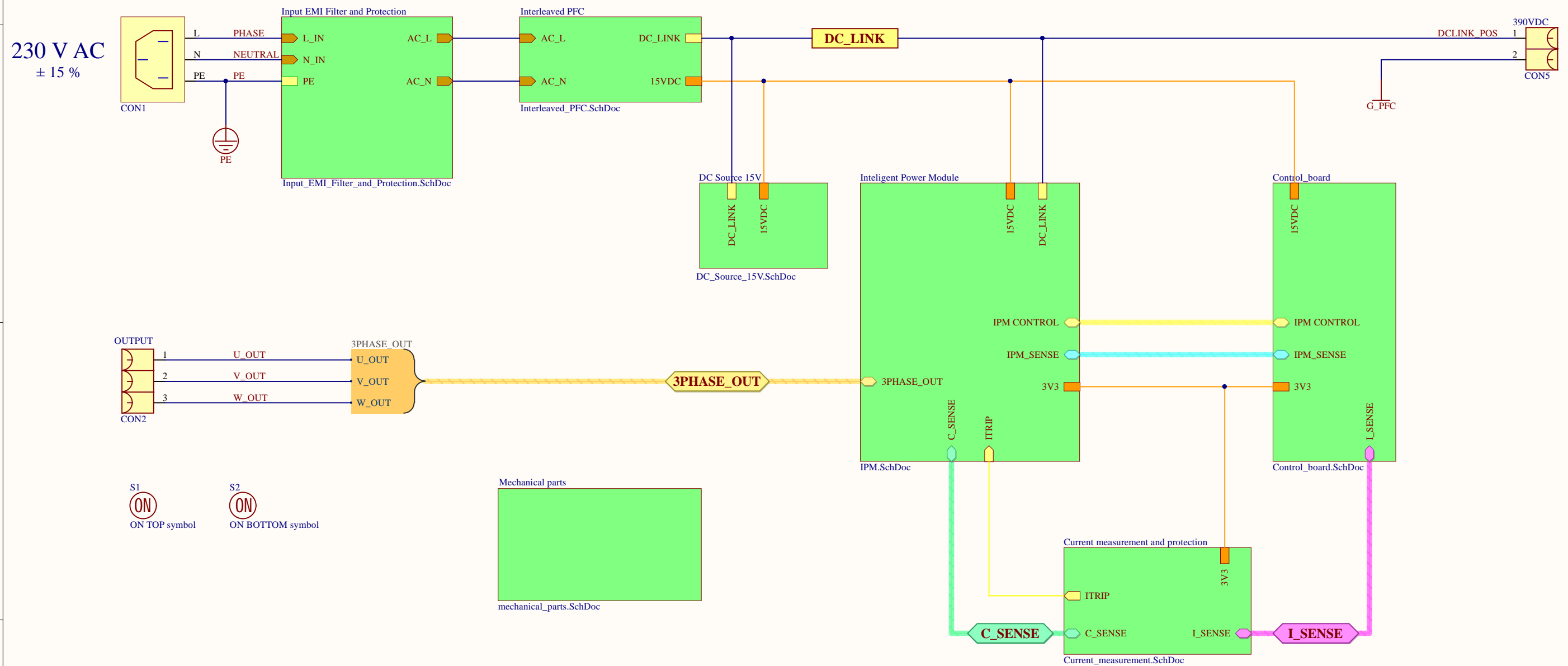


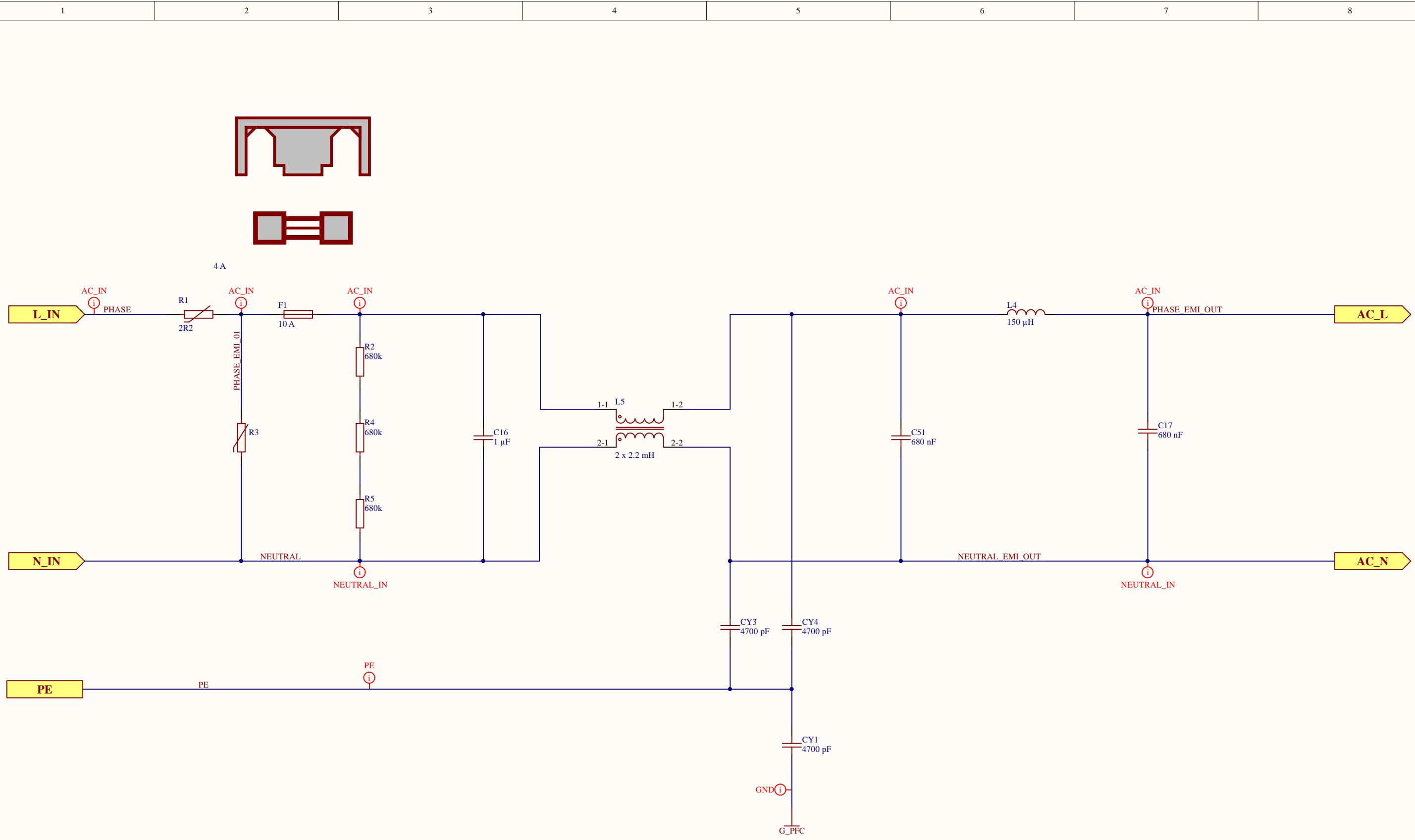
Compact Intelligent Power Module Demo board

850W



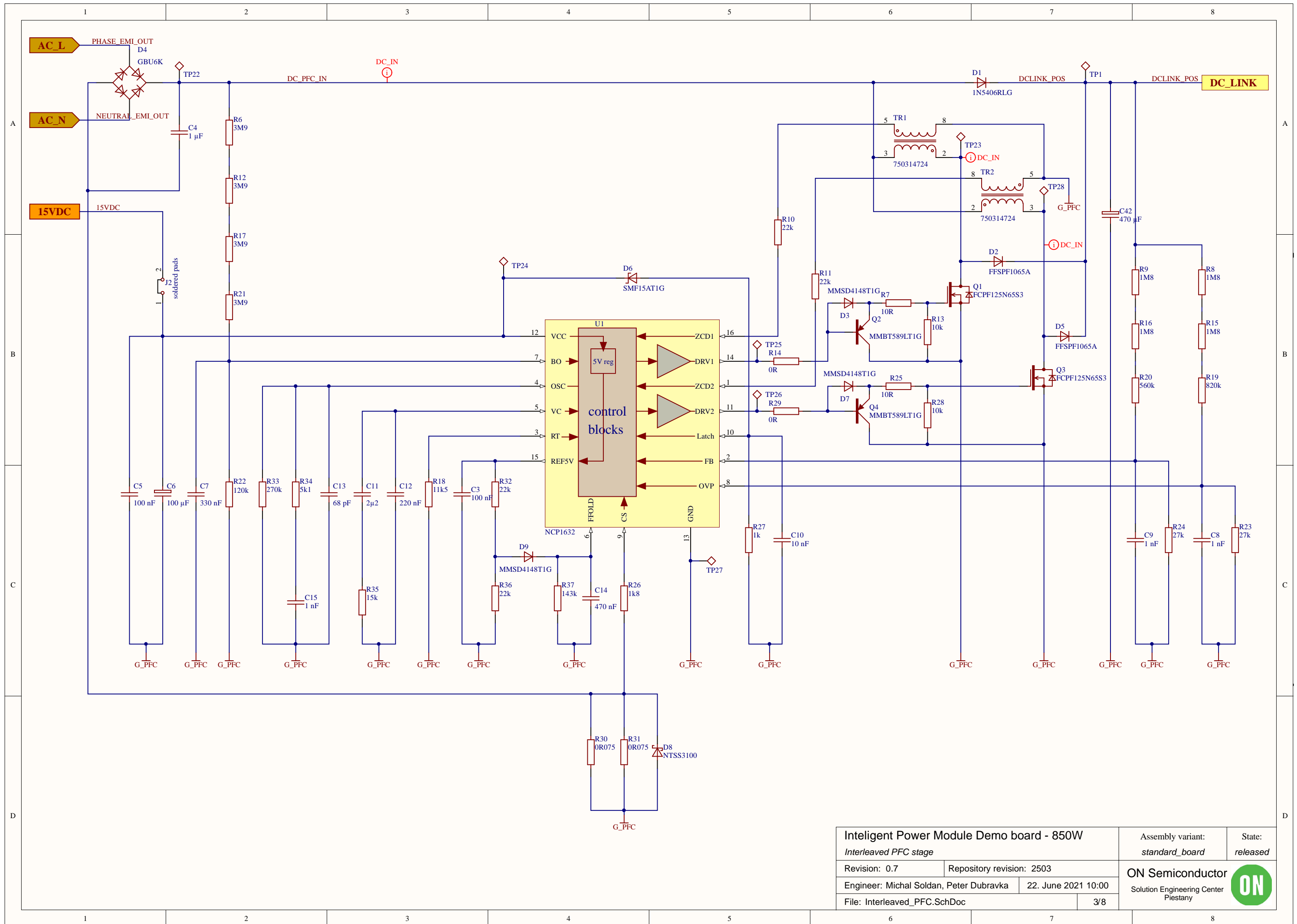
| | | | |
|--|---------------------------|---------------------|--|
| Intelligent Power Module Demo board - 850W | | Assembly variant: | State: |
| Top level | | standard_board | released |
| Revision: 0.7 | Repository revision: 2503 | | ON Semiconductor Solution Engineering Center Piešťany |
| Engineer: Michal Soldan, Peter Dubravka | | 22. June 2021 10:00 | |
| File: IPM_board_top.SchDoc | | 1/8 | |





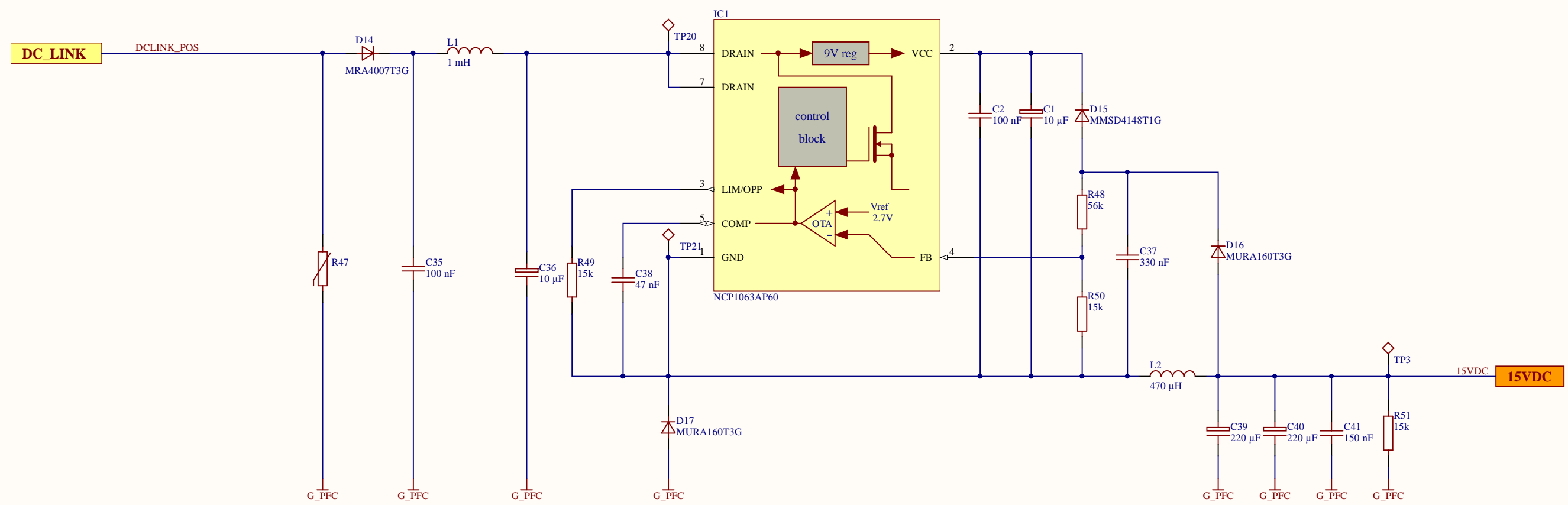
| | | | |
|---|---------------------------|-----------------------|--|
| Intelligent Power Module Demo board - 850W | | Assembly variant: | State: |
| <i>EMI filter and Protection circuit</i> | | <i>standard_board</i> | <i>released</i> |
| Revision: 0.7 | Repository revision: 2503 | | ON Semiconductor Solution Engineering Center Piešťany |
| Engineer: Michal Soldan, Peter Dubravka | | 22. June 2021 10:00 | |
| File: Input_EMI_Filter_and_Protection.SchDoc | | 2/8 | |





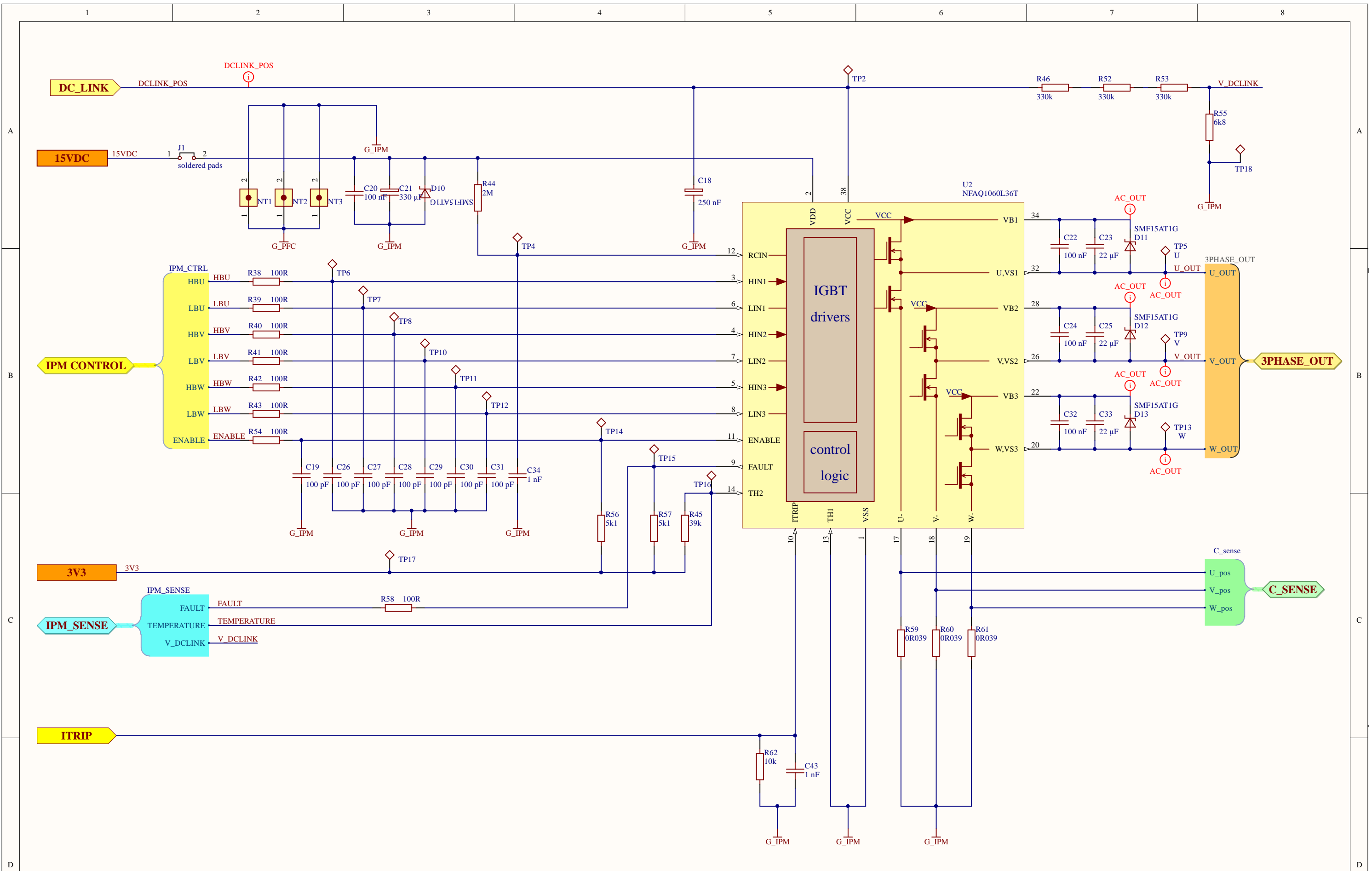
| | | | |
|---|---------------------------|-----------------------|--|
| Intelligent Power Module Demo board - 850W | | Assembly variant: | State: |
| <i>Interleaved PFC stage</i> | | <i>standard_board</i> | <i>released</i> |
| Revision: 0.7 | Repository revision: 2503 | | ON Semiconductor Solution Engineering Center Piestany |
| Engineer: Michal Soldan, Peter Dubravka | 22. June 2021 10:00 | | |
| File: Interleaved_PFC.SchDoc | 3/8 | | |





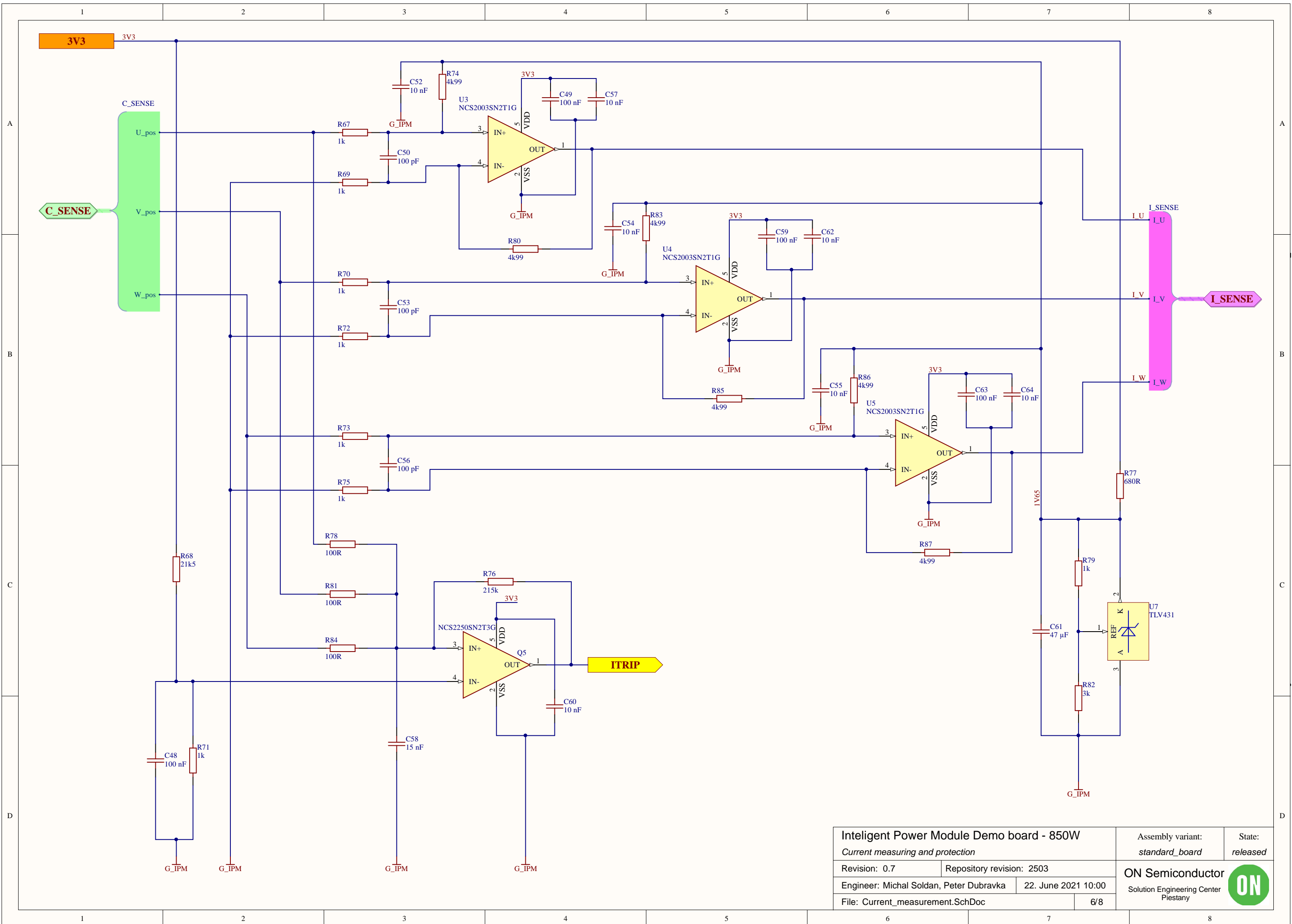
| | | | |
|---|---------------------------|-------------------|--|
| Intelligent Power Module Demo board - 850W | | Assembly variant: | State: |
| DC/DC Power supply 390VDC / 15VDC | | standard_board | released |
| Revision: 0.7 | Repository revision: 2503 | | ON Semiconductor Solution Engineering Center Piešťany |
| Engineer: Michal Soldan | 22. June 2021 10:00 | | |
| File: DC_Source_15V.SchDoc | 4/8 | | |

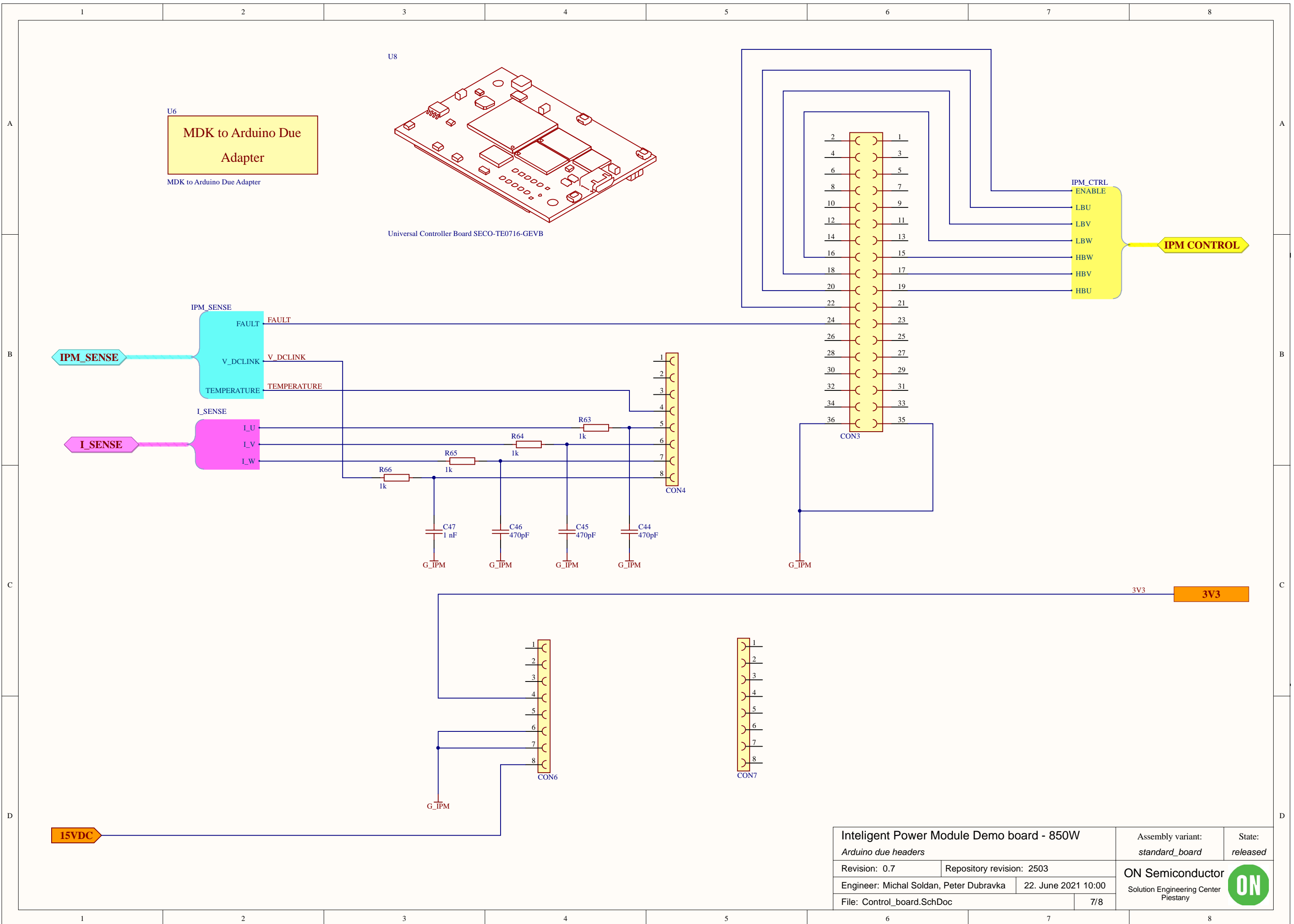




| | | | |
|--|---------------------------|--|--|
| Intelligent Power Module Demo board - 850W <i>IPM module control</i> | | Assembly variant: <i>standard_board</i> | State: <i>released</i> |
| Revision: 0.7 | Repository revision: 2503 | | ON Semiconductor Solution Engineering Center Piešťany |
| Engineer: Michal Soldan, Peter Dubravka | | 22. June 2021 10:00 | |
| File: IPM.SchDoc | | 5/8 | |





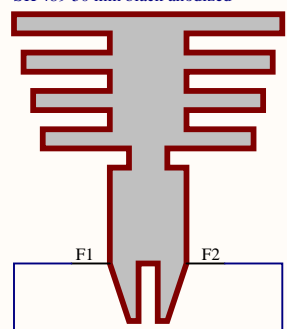


| | | | |
|---|---------------------------|--|----------|
| Intelligent Power Module Demo board - 850W | | Assembly variant: | State: |
| Arduino due headers | | standard_board | released |
| Revision: 0.7 | Repository revision: 2503 | ON Semiconductor Solution Engineering Center Piešťany | |
| Engineer: Michal Soldan, Peter Dubravka | 22. June 2021 10:00 | | |
| File: Control_board.SchDoc | 7/8 | | |

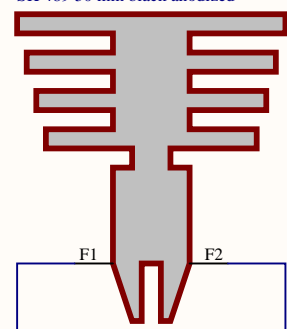


Heatsinks fixing set

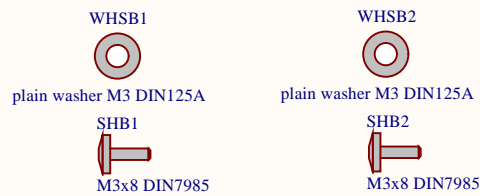
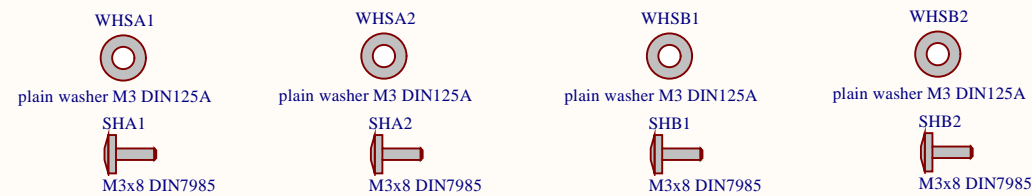
HSA
SK 489 50 mm black anodized



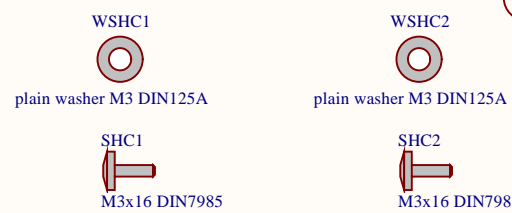
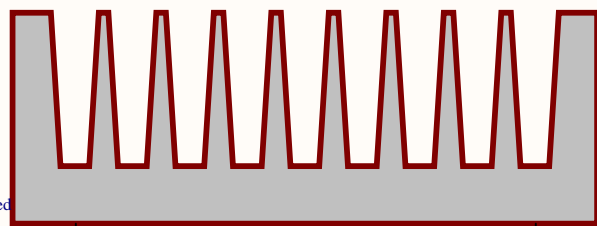
HSB
SK 489 50 mm black anodized



Note: Spacers SHSA1, SHSA2, SHSB1 and SHSB2 are placed between board and heatsink



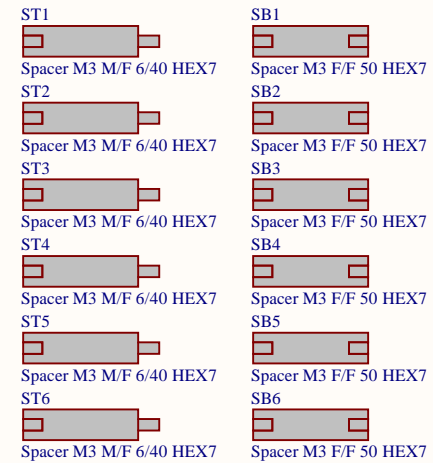
HSC
SK 92 30 mm natural anodized



HSD
SK 447 37.5 mm black anodized



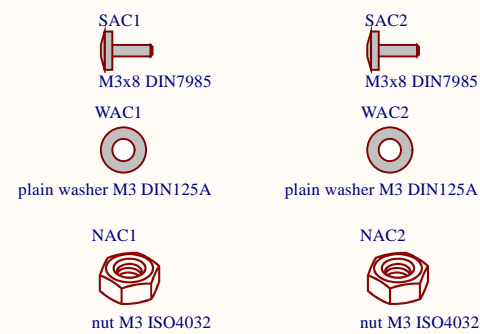
Board fixing set



Power MOSFETs and Diodes fixing set



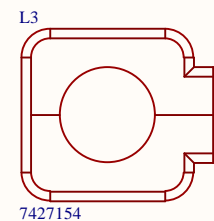
Input AC connector fixing set



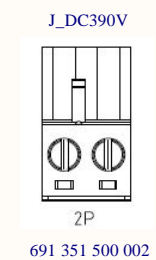
3PHASE output connector



Ferrite ring core



390VDC input connector



| | | | |
|---|---------------------------|--|--|
| Intelligent Power Module Demo board - 850W <i>Mechanical and enclosed parts</i> | | Assembly variant: <i>standard_board</i> | State: <i>released</i> |
| Revision: 0.7 | Repository revision: 2503 | | ON Semiconductor Solution Engineering Center Piešťany |
| Engineer: Michal Soldan | 22. June 2021 10:00 | | |
| File: mechanical_parts.SchDoc | 8/8 | | |

