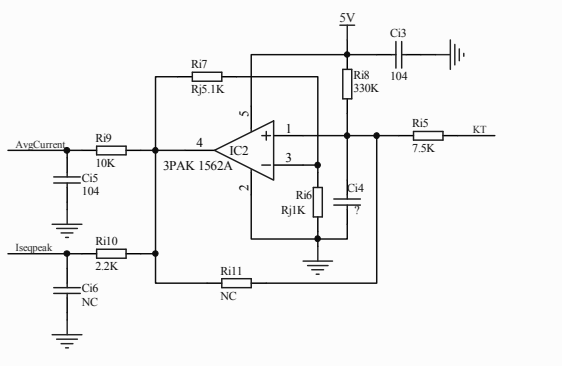
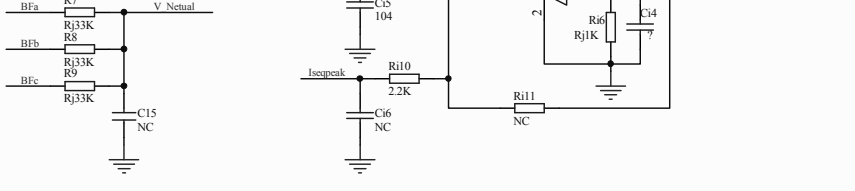
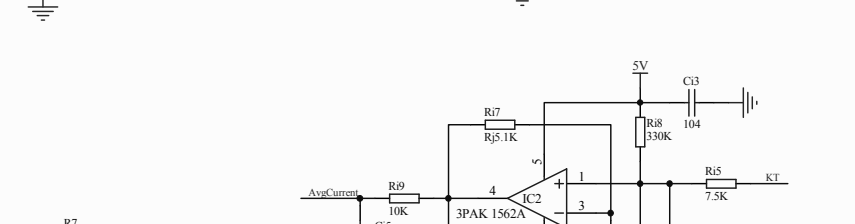
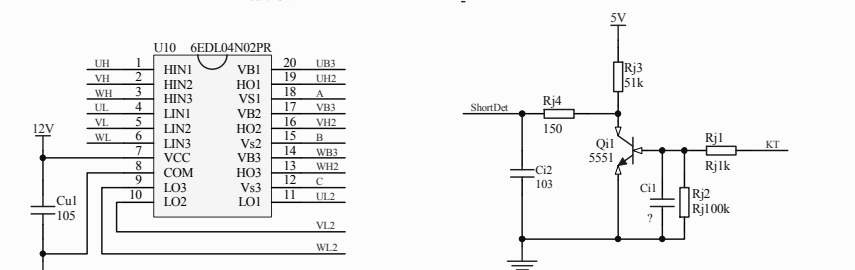
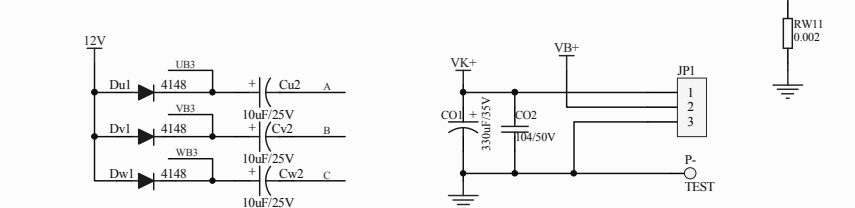
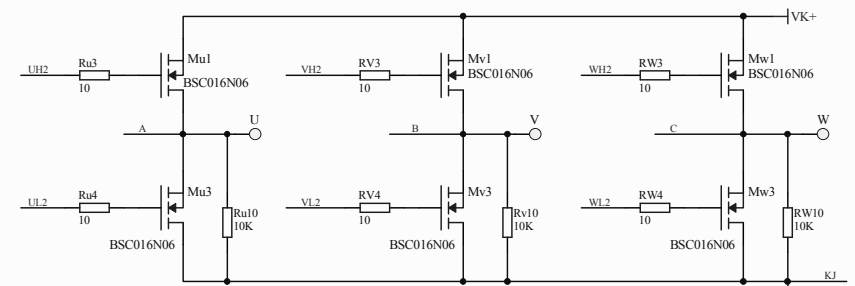


T/AD	1	P2.4	38	/SP
/Vbat	2	P2.5	37	BfC
BfB	3	P2.6	36	V_Netual
V_Netual	4	P2.7	35	MOS/T
BfA	5	P2.8	34	SWC
V_Netual	6	P2.9	33	SWD
IscapPeak	7	P2.10	32	LED5
AvgCurrent	8	P2.11	31	ShortDet
GND	9	VSSP	30	ZF
	10	VDDP	29	
LED1	11	P1.5	28	UL
LED2	12	P1.4	27	UH
LED3	13	P1.3	26	
Hall u	14	P1.2	25	VDDP
Hall v	15	P1.1	24	VH
Hall w	16	P1.0	23	VL
	17	P0.6	22	LGH
WL	18	P0.5	21	K2 -电量
LED4	19	P0.4	20	K1 -档位
		P0.3		



Title		
Size	Number	Revision
A4		
Date:	2019-2-17	Sheet of
File:	D:\PowerToos\TP01_SchDoc	Drawn By: